

Model: I8

LOSCAM

IBC I8



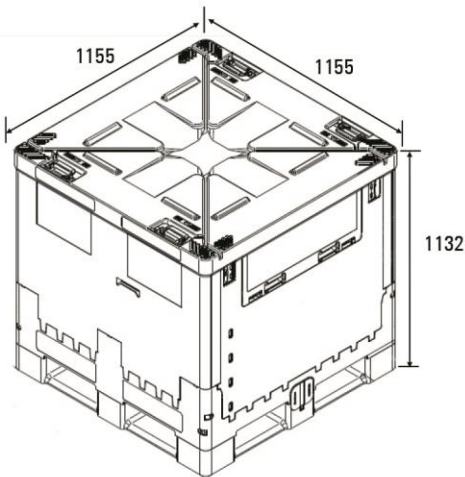
Your Pooling Solutions Partner

Loscam IBC I8

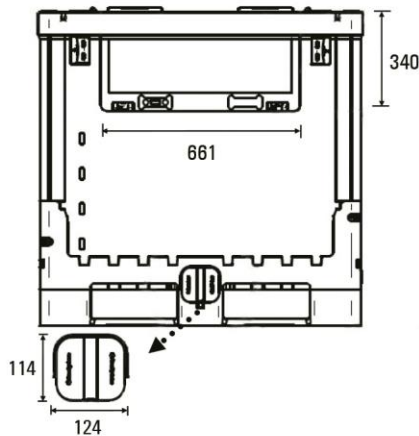
The Loscam Foldable Plastic Liquid Intermediate Bulk Container (IBC) - I8 is developed specially for the food industry such as fruit juice, dairy, vegetable oil etc. The lightweight and foldable container features a hygienic efficient "bag in box" system which is easy to fill, discharge and transport. The half folding front "drop gate" enables ease of access and the sight glass provides clear view of the product. I8 is extremely cost-effective due to its 2.5 to 1 return ratio.

Product	IBC I8
Dimensions	External: 1155mmL x 1155mmW x 1132mmH Internal : 1065mmL x 1045mmW x 940mmH
Tare Weight	90 kg
Capacity	1060 litre
Loading Capacity	1400 kg
Stacking Capacity	Static: 5 high when loaded, 10 high when folded Dynamic: 2 high when loaded
Material	Food-grade Polypropylene
Forklift Access	4 way entry
Uses	Suitable for food industry including fruit juices, dairy, fats, oils, honey & syrups, mayonnaise, wine/vinegar and pharmacy products

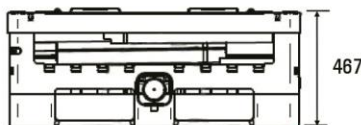
- Benefits**
- Easy to fill, discharge and transport
 - Half folding front "drop gate" allows ease of access
 - Sight glass provides clear view of product level
 - Tamper evident and lockable lid assures product safety
 - Suitable for use with Loscam plug-in heater baseboard which improves viscous liquid discharge
 - Freezer compatible and UV resistant
 - 2.5:1 folding ratio saves cost in transport and storage



Side View

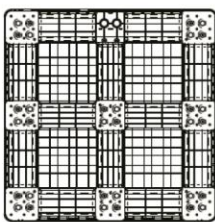
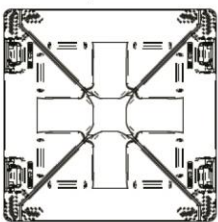


Folded View



Top View

Bottom View



LOSCAM



Head Office
37 - 41 Prospect Street
Box Hill Victoria 3128
Telephone: 61 3 9843 3700
Facsimile: 61 3 9843 3701
Email: customer.service@loscam.com

State Office details:
New South Wales
Wetherill Park
Telephone: 61 2 9756 3911
Facsimile: 61 2 9756 3955

Queensland
Rocklea
Telephone: 61 7 3277 9166
Facsimile: 61 7 3274 1404

South Australia
Wingfield
Telephone: 61 8 8243 0300
Facsimile: 61 8 8243 0099

Victoria/Tasmania
Dandenong
Telephone: 61 3 9794 9898
Facsimile: 61 3 9794 0158

Western Australia
Canning Vale
Telephone: 61 8 9455 6000
Facsimile: 61 8 9455 6222