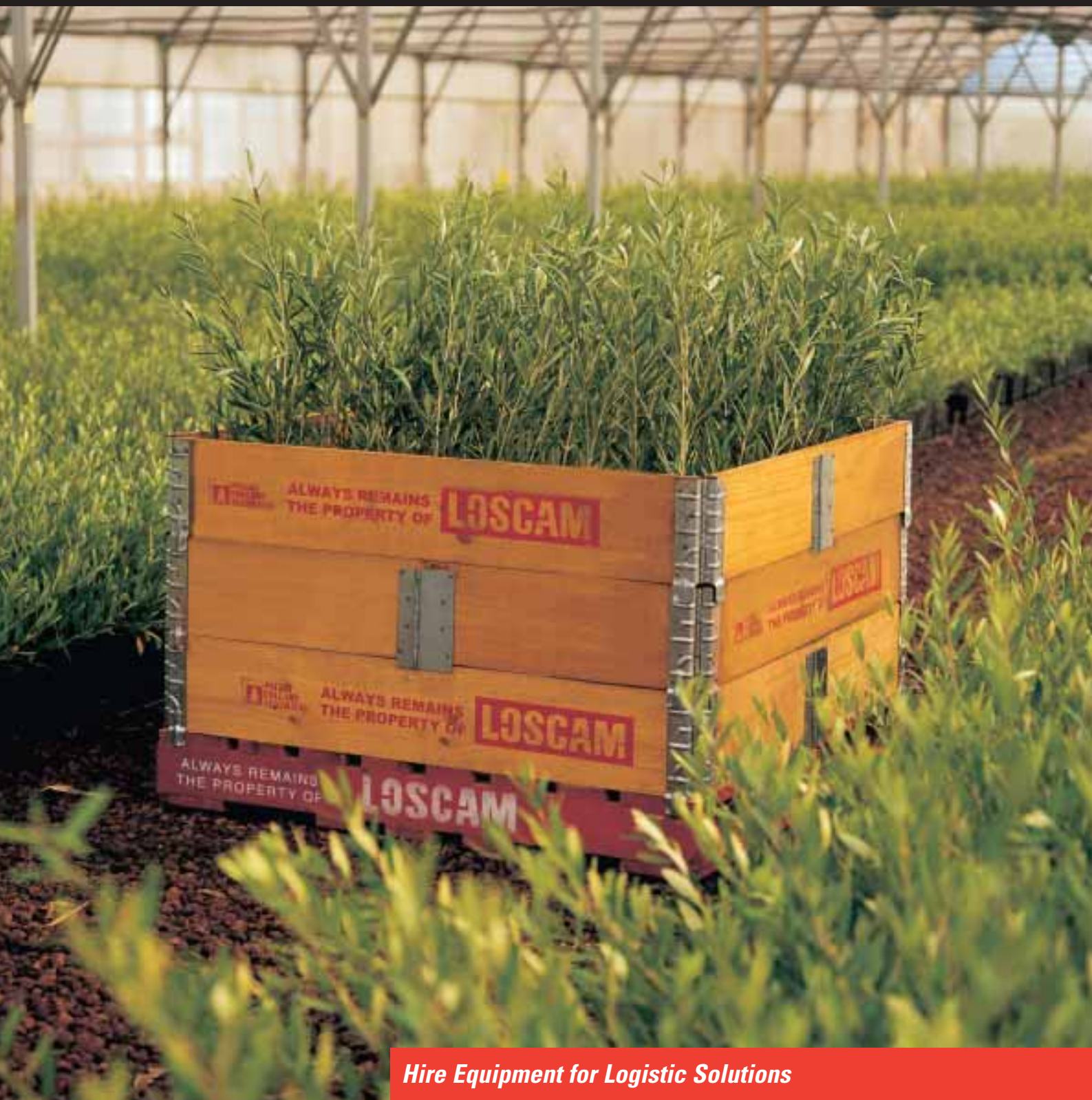
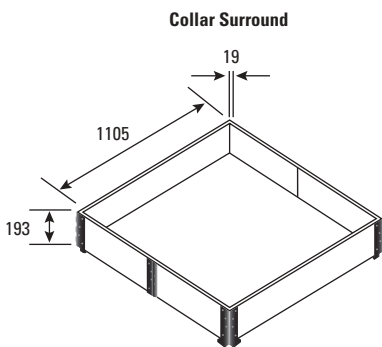
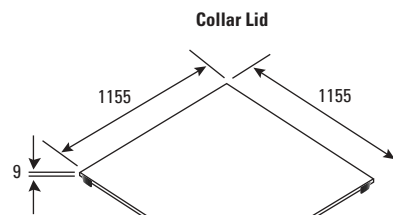
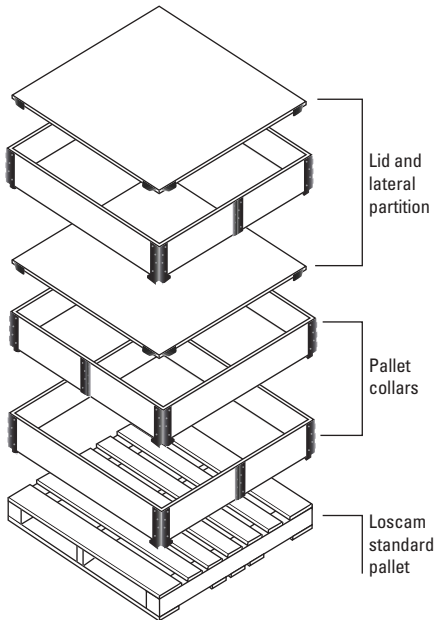


LOSCAM

Loscam Pallet Collar Surrounds and Lids



Loscam Pallet Collar Surrounds and Lids



Benefits of Loscam

We can provide you with:

- > The very latest in returnable packaging systems
- > Specialised products and business solutions to assist your equipment management systems in tracking movements through your supply chains
- > Committed to providing customers with the right service at the right time and for the right price

Product	Wooden Collars and Lids
Overall Size Erect	1155mm x 193mm x 220mm Pallet Collar Lid & Lateral Partition sheet of plywood 1155mm x 1155mm x 9mm
Overall Size Collapsed	Each side 1105mm x 193mm x 76mm
Tare Weight	Collar – 9.5kg Lid – 5kg
Gross Weight	Stackable to carry up to 6000kg side bearing load
Construction Material	Kiln-dried dressed pine timber with bevelled edges
Material/Construction Characteristics	Hinges are galvanised pressed metal with a spiral locking pin 4 x galvanised pressed metal right-angle corner pieces lock the lid over the pallet collars
Forklift Access	As per wooden pallet 2 way entry points
Uses	Multiple products per pallet Flexible configuration to suit your product requirements
Benefits	Reduce the risk of manual handling injury Lateral partitions separate products, minimise crushing and ensure security of valuable products Pallet collars can be built up around product size and strong enough to support top loading Collars added to standard wooden pallet Collapsability minimises storage and transport costs, quick to re-engage Turns a pallet into containers Eliminates cartons and shrinkwrap

LOSCAM

Head Office
37 - 41 Prospect Street
Box Hill Victoria 3128
Telephone: 61 3 9843 3700
Facsimile: 61 3 9843 3701
Email: customer.service@loscam.com

State Office details:
New South Wales
Wetherill Park
Telephone: 61 2 9756 3911
Facsimile: 61 2 9756 3955

Queensland
Rocklea
Telephone: 61 7 3277 9166
Facsimile: 61 7 3274 1404

South Australia
Wingfield
Telephone: 61 8 8243 0300
Facsimile: 61 8 8243 0099

Victoria/Tasmania
Hampton Park
Telephone: 61 3 9794 9898
Facsimile: 61 3 9794 0158
Laverton
Telephone: 61 3 9314 3811
Facsimile: 61 3 9314 3822

Western Australia
Canningvale
Telephone: 61 8 9455 6000
Facsimile: 61 8 9455 6222

Customer Service 1300 309 930 Website www.loscam.com