

Model: G5

LÖSCAM

Gpak G5



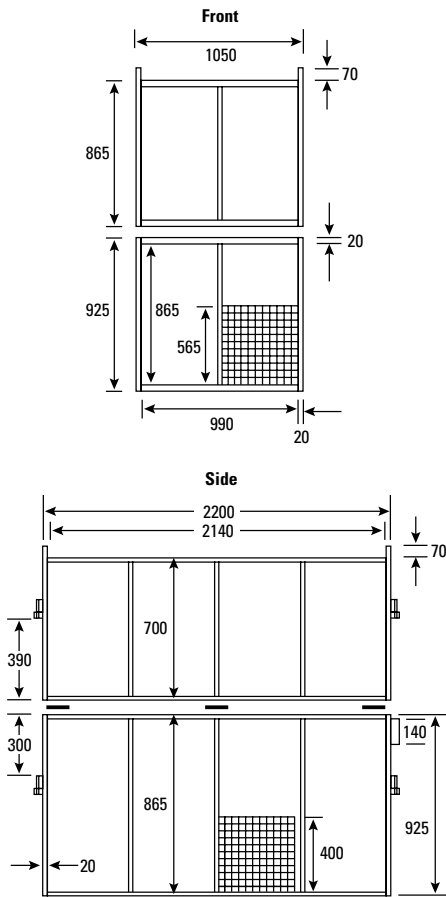
Your Pooling Solutions Partner

Gpak G5

Benefits of Loscam

We can provide you with:

- > The very latest in returnable packaging systems
- > Specialised products and business solutions to assist your equipment management systems in tracking movements through your supply chains
- > Committed to providing customers with the right service at the right time and for the right price



Product	Gpak G5
Overall Size Erect	2300mmL x 1150mmW x 2000mmH
Overall Height Collapsed	430mm
Tare Weight	200kg
Gross Weight	4.16m ³ /1500kg
Construction Material	High tensile galvanised steel Smooth internal plastic lining
Material/Construction Characteristics	Lightweight Stackage for storage
Forklift Access	4 way entry points

Uses
 Storage, transport and distribution of products that require special care or are just difficult to handle
 From the automotive, pharmaceutical, fashion and aquaculture to electronic and transportation industries, Gpak's can reduce transport and handling, theft and product replacement costs

Benefits
 Folded to upright in 50 seconds, collapsed in less than 30 seconds
 Erected by a single person without using tools
 One-piece foldable units with lids attached
 Modular design
 Ergonomic
 Walk in door, no drop gate to bend over
 Security due to no visual of product inside
 Stackable/foldable



 AS/NZS ISO 9001 Certified
 AS/NZS 4801 Certified
 AS/NZS ISO 14001 Certified
 Davis Langdon Certification Services

Head Office
 37 - 41 Prospect Street
 Box Hill Victoria 3128
 Telephone: 61 3 9843 3700
 Facsimile: 61 3 9843 3701
 Email: customer.service@loscam.com

State Office details:
New South Wales
 Wetherill Park
 Telephone: 61 2 9756 3911
 Facsimile: 61 2 9756 3955

Queensland
 Rocklea
 Telephone: 61 7 3277 9166
 Facsimile: 61 7 3274 1404

South Australia
 Wingfield
 Telephone: 61 8 8243 0300
 Facsimile: 61 8 8243 0099

Victoria/Tasmania
 Hampton Park
 Telephone: 61 3 9794 9898
 Facsimile: 61 3 9794 0158

Western Australia
 Canningvale
 Telephone: 61 8 9455 6000
 Facsimile: 61 8 9455 6222