

# LOSCAM

*Your Pooling Solutions Partner*



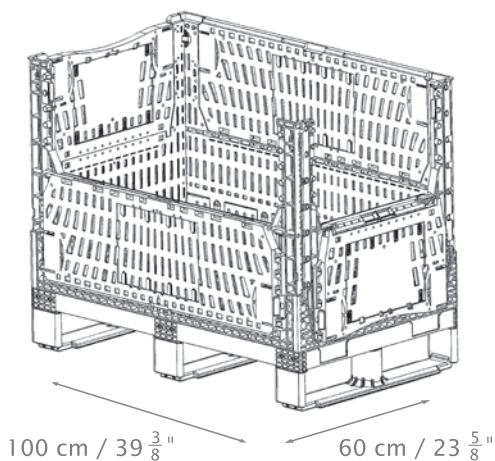
## 1/2 Bin

Minimize replenishment cost, Maximizes in-store availability, higher capacity RRP (Retail Ready Packaging)

- open from all 4 sides
- A revolutionary "one-touch" bin that functions as both transport, storage and as an attractive in-store display
- Uniquely designed to replace traditional shelving, eliminating the time and cost of replenishing
- Greater product availability – leads to improved sales
- Maximizes truck and storage space – bins are completely foldable, nestable and stackable
- Robust construction ensures products are well protected against bruising or breakage
- Easy to clean, resist moisture, insects and fungi, impervious to acids, fats, solvents and odors
- Available with your own labeling and desired color
- Environmental friendly



## Technical details:

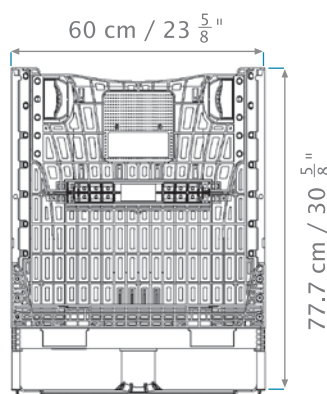
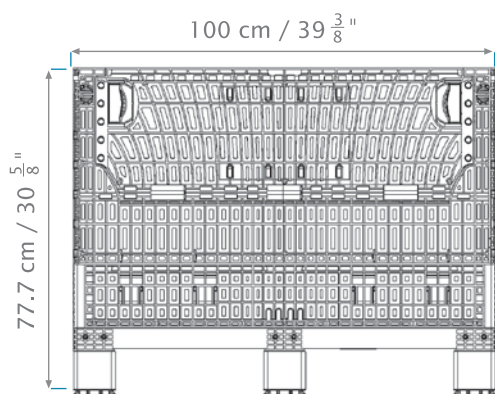


External Dimensions (L x W x H)  
1000 x 600 x 777 (mm)  
39 3/8" x 23 5/8" x 30 5/8" (inch)

Internal Dimensions (L x W x H)  
948 x 548 x 615 (mm)  
37 3/8" x 21 5/8" x 24 1/4" (inch)

Folded Height <mm/inch>: 312 / 12 1/4"  
Weight <kg/lbs>: 25.7kg / 56.7lbs  
Load Capacity/unit <kg/lbs>: 230kg / 440.9lbs  
Stacking Capacity 5 units (1150kg / 2535.3lbs)  
Static: 3 units (1150kg / 2535.3lbs)  
Dynamic: 5 units (690kg / 1521.19lbs)

Volume <liter/cubic inch>:  
315 liter / 19,222.4 cubic inch  
Material: PP/HDPE  
Temp range: -4 °F to + 120 °F / -20 °C to + 50 °C



## Retail Ready Packaging

The **ultimate** in cost savings

[www.loscam.com](http://www.loscam.com)

Corporate Office (852)2200 0688 | Greater China (86)755 2680 8820 | South East Asia (66)2613 0712  
Australia (61)3 9843 3700 | New Zealand (64)21 756 339  
info@loscam.com

\* Loscam reserves the right to change any of the abovementioned specifications without prior notice

### User Responsibility:

It is the responsibility of all users and hires to inform any other users concerning the details provided on this specifications sheet and the Loscam Health & Safety Guidelines. Users are responsible for completing Safe System Work and risk assessments prior to equipment use.