

LOSCAM

Your Pooling Solutions Partner



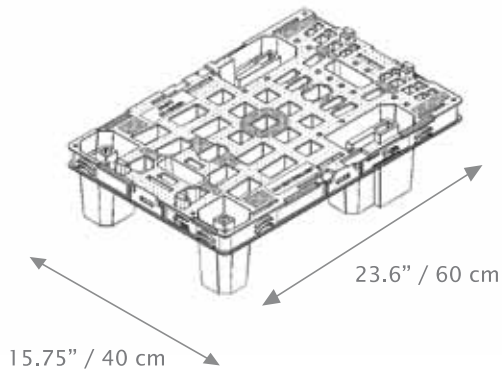
¼ Pallet

Minimizes replenishment cost,
Maximizes in-store availability

- A revolutionary 'one-touch' Pallet that functions as BOTH transport storage and as an attractive in-store display!
- Uniquely designed to replace traditional shelving, eliminating both the time & cost of merchandizing shelves.
- Small measurements to fit small stores or small quantity products.
- Easy and secured nesting to maximize truck and storage space.
- Can be used on conveyor belt
- Pop up/ Rims system – to secure your trays and crates upon request.
- Flat surface for flat goods.
- Easily stacks crates, beverages, trays & cartons.
- Easy-to-clean polymer resists moisture, insects and fungi; Impervious to acids, fats, solvents and odour.



Technical details:



Dimensions (LxWxH):

60 x 40 x 14.5 cm / 23.6" x 15.75" x 5.7"

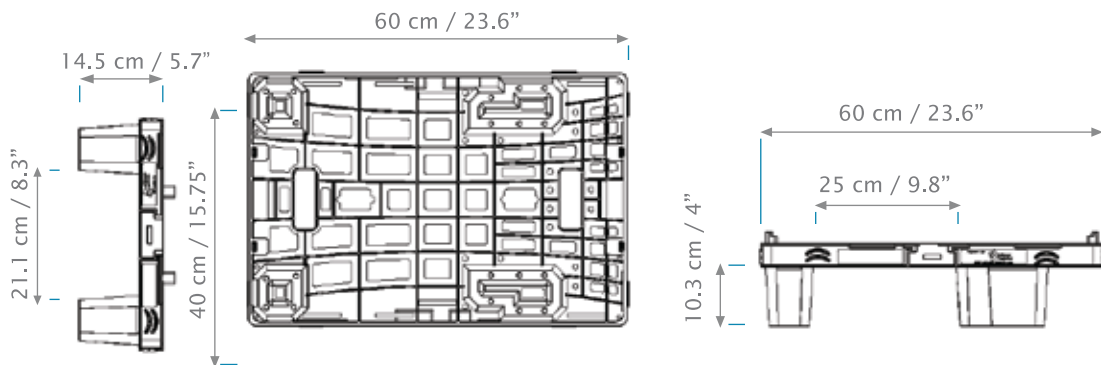
Weight: 2.1 kg / 4.62 lbs

Maximum load per unit: 250 kg / 551 lbs

Material: Polypropylene

Temp range: -20 to +50 °c / -4 to +120 °f

Available with or without pop-ups



Color Choice



Recyclable



Light Weight



Pop-Ups



Rims



Nestable

Retail Ready Packaging

The **ultimate** in cost savings

www.loscam.com

Corporate Office (852)2200 0688 | Greater China (86)755 2680 8820 | South East Asia (66)2613 0712
Australia (61)3 9843 3700 | New Zealand (64)21 756 339

info@loscam.com

* Loscam reserves the right to change any of the abovementioned specifications without prior notice

User Responsibility:

It is the responsibility of all users and hires to inform any other users concerning the details provided on this specifications sheet and the Loscam Health & Safety Guidelines. Users are responsible for completing Safe System Work and risk assessments prior to equipment use.