

LOSCAM

Your Pooling Solutions Partner

Loscam IBC I8



Product code: I8



www.loscam.com



AUS Customer Service: 1300 309 930

Loscam IBC I8

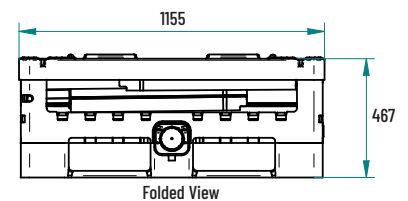
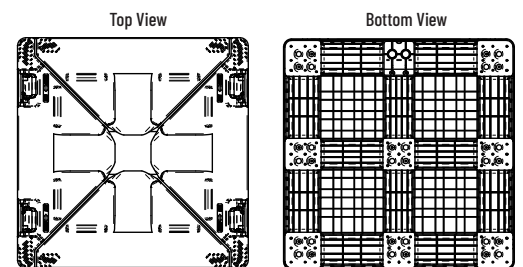
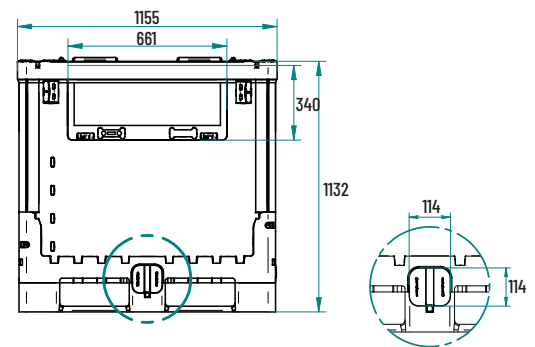
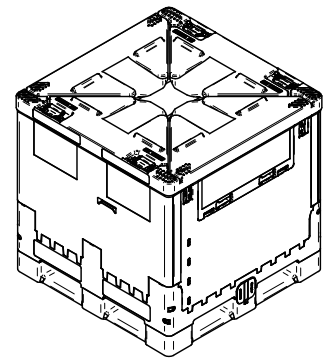
The Loscam Foldable Plastic Liquid Intermediate Bulk Container (IBC) - I8 is developed specially for the food industry such as fruit juice, dairy, vegetable oil etc. The lightweight and foldable container features a hygienic efficient “bag in box” system which is easy to fill, discharge and transport. The half folding front “drop gate” enables ease of access. I8 is extremely cost-effective for its 2.5 to 1 return ratio.

Benefits:

- Easy to fill, discharge and transport
- Half folding front “drop gate” allows ease of access
- Tamper evident and lockable lid assures product safety
- Freezer compatible and UV resistant
- 2.5:1 folding ratio saves cost in transport and storage
- Can be enabled with a Loscam Track & Trace locational device, connected to the Loscam Live tracking platform

Specifications:

Overall Size:	External - 1155 mm(L) x 1155 mm(W) x 1132 mm(H) Internal - 1065 mm(L) x 1045 mm(W) x 940 mm(H)
Tare Weight:	90 kg
Capacity:	1,060 litre
Loading Capacity:	1,400 kg
Stacking Capacity:	<ul style="list-style-type: none"> • Static- 5 high when loaded, 10 high when folded • Dynamic- 2 high when loaded
Material:	Food-grade Polypropylene
Forklift Access:	4-way entry
Uses:	Suitable for food industry including fruit juices, dairy, fats, oils, honey & syrups, mayonnaise, wine, vinegar and the pharmaceutical industry



Copyright © LOSCAM. All Right Reserved.
© Loscam International Holdings Co., Limited

LOSCAM

Australia
Level 1, 350
Wellington Road,
Mulgrave 3170
Ph: 61 3 9843 3700

Victoria / Tasmania
51-65 Nathan Rd
Dandenong South
Victoria 3175
Ph: 61 3 9108 3930

New South Wales
54 Tyrone Place
Erskine Park
NSW 2759
Ph: 61 2 8047 9510

Queensland
55 Whitelaw place
Richlands
QLD-4077
Ph: 61 7 3718 0100

South Australia
196-214 Cormack Rd
Wingfield
SA 5013
Ph: 61 8 8472 1401

Western Australia
280 Bannister Rd
Canning Vale
WA 6155
Ph: 61 8 6372 5655