

LOSCAM

Your Pooling Solutions Partner

Loscam Wooden Pallet - Myanmar



Model: WP15



www.loscam.com

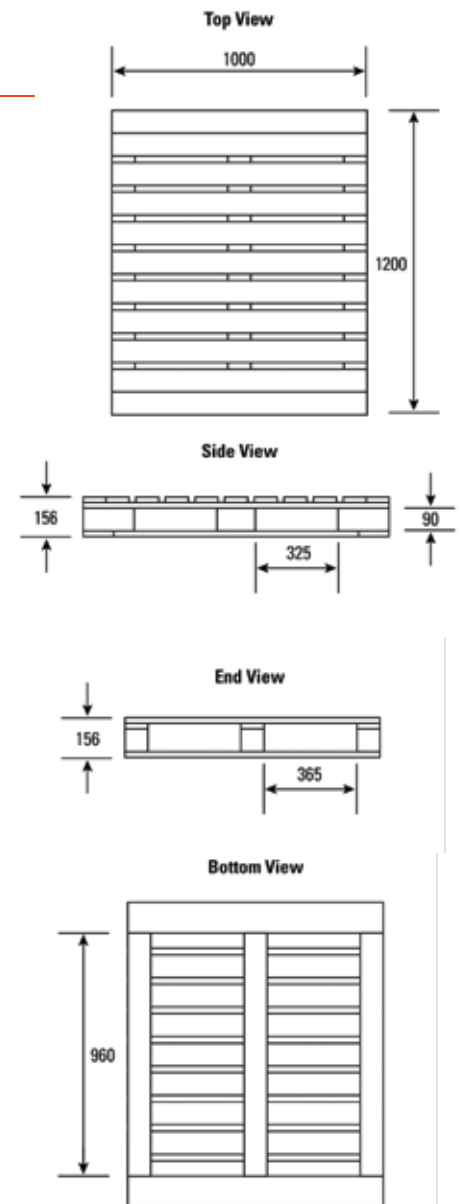
Loscam Wooden Pallet - Myanmar

Benefits of Loscam

- Loscam pallets are available when and where you need them
- ECR approved design- industry standard for retail pallet pooling
- Pallet Hire Management System (HMS) enables customers to track pallets movement between trading partners

Specifications:

Overall Size:	1200 mm(L) x 1000 mm(W) x 156 mm(H)
Tare Weight:	28 kg*
Dynamic Load:	1.5 t
Static Load:	6 t
Forklift Access:	<ul style="list-style-type: none">• 2-way entry points• Stackable/ rackable
Uses:	<ul style="list-style-type: none">• Storage for all types of products• Movement of products between factories and warehouses• Transfer of products to retailers• Ideal for pallet magazines and automated production lines



Copyright © LOSCAM. All Right Reserved.
© Loscam International Holdings Co., Limited

LOSCAM

Myanmar

Unit 1116, 11/F, Tower 2
Myanmar Centre Business Suites
No.192 KabaAye Pagoda Road
Bahan Township, Yangon, Myanmar
Ph: 95 1 9345065-68 (Ext 1122)
Fax: 95 1 9345069