

LOSCAM

Your Pooling Solutions Partner

Loscam IBC I8



Product code: I8



www.loscam.com



NZ Customer Service: 0800 Loscam (567226)

Loscam IBC I8

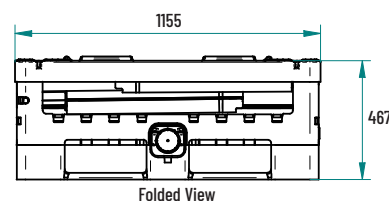
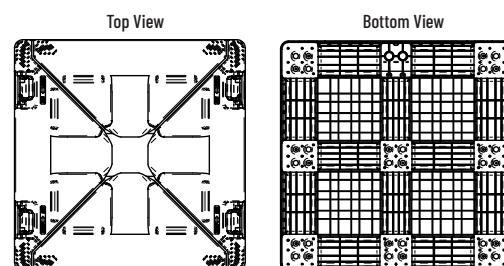
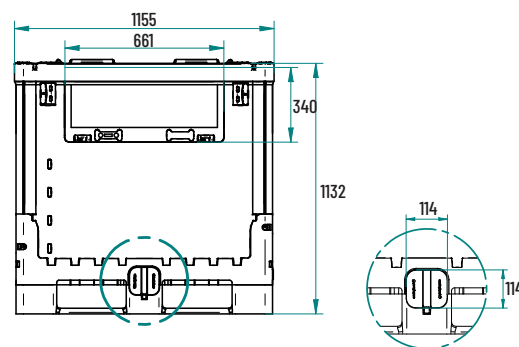
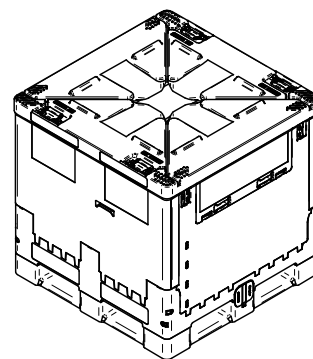
The Loscam Foldable Plastic Liquid Intermediate Bulk Container (IBC) - I8 is developed specially for the food industry such as fruit juice, dairy, vegetable oil etc. The lightweight and foldable container features a hygienic efficient “bag in box” system which is easy to fill, discharge and transport. The half folding front “drop gate” enables ease of access. I8 is extremely cost-effective for its 2.5 to 1 return ratio.

Benefits:

- Easy to fill, discharge and transport
- Half folding front “drop gate” allows ease of access
- Tamper evident and lockable lid assures product safety
- Freezer compatible and UV resistant
- 2.5:1 folding ratio saves cost in transport and storage
- Can be enabled with a Loscam Track & Trace locational device, connected to the Loscam Live tracking platform

Specifications:

Overall Size:	External - 1155 mm(L) x 1155 mm(W) x 1132 mm(H) Internal - 1065 mm(L) x 1045 mm(W) x 940 mm(H)
Tare Weight:	90 kg
Capacity:	1,060 litre
Loading Capacity:	1,400 kg
Stacking Capacity:	• Static- 5 high when loaded, 10 high when folded • Dynamic- 2 high when loaded
Material:	Food-grade Polypropylene
Forklift Access:	4-way entry
Uses:	Suitable for food industry including fruit juices, dairy, fats, oils, honey & syrups, mayonnaise, wine, vinegar and the pharmaceutical industry



Copyright © LOSCAM. All Right Reserved.
© Loscam International Holdings Co., Limited

LOSCAM

New Zealand
12 Chonny Crescent
Manurewa, Auckland 2102
Ph: 09 269 0566
Fax: 09 622 3090