

# LOSCAM

*Your Pooling Solutions Partner*

## Loscam Wooden Pallets - Greater China



Model: WP



[www.loscam.com](http://www.loscam.com)

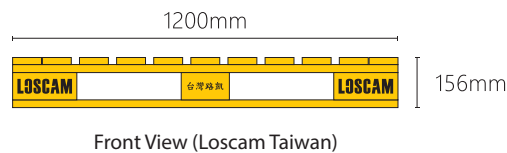
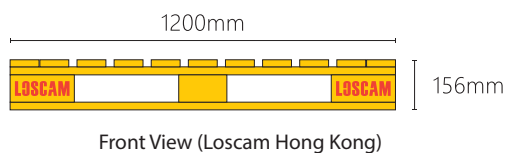
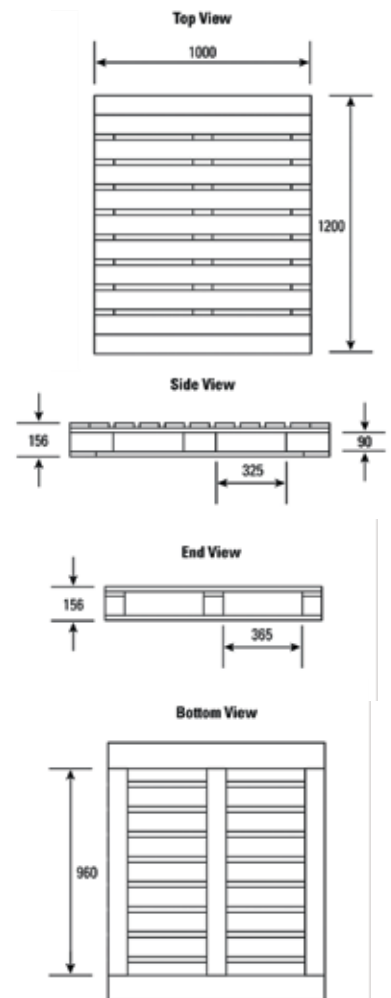
# Loscam Wooden Pallet - Greater China

## Benefits of Loscam

- Loscam pallets are available when and where you need them
- ECR approved design - industry standard for retail pallet pooling
- Pallet Hire Management System (HMS) enables customers to track pallets movement between trading partners

## Specifications:

Overall Size:	1200 mm(L) x 1000 mm(W) x 156 mm(H)
Tare Weight:	28 kg*
Dynamic Load:	1.5 t
Static Load:	6 t
Forklift Access:	<ul style="list-style-type: none"> <li>• 4-way entry points</li> <li>• Stackable/ rackable</li> </ul>
Uses:	<ul style="list-style-type: none"> <li>• Storage for all types of products</li> <li>• Movement of products between factories and warehouses</li> <li>• Transfer of products to retailers</li> <li>• Ideal for pallet magazines and automated production lines</li> </ul>



Copyright © LOSCAM. All Right Reserved.  
© Loscam International Holdings Co., Limited

# LOSCAM

Loscam (Hong Kong) Limited  
2027E, 2/F, ATL Logistics Centre B, Berth 3,  
Kwai Chung Container Terminal, Kwai Chung, N.T  
Tel.: +852 2419 2695

Loscam (Taiwan) Limited  
7/F., No. 902 Jingguo Road, Luzhu Dist.  
Taoyuan City 338, Taiwan  
Tel.: +886 3 386 3991